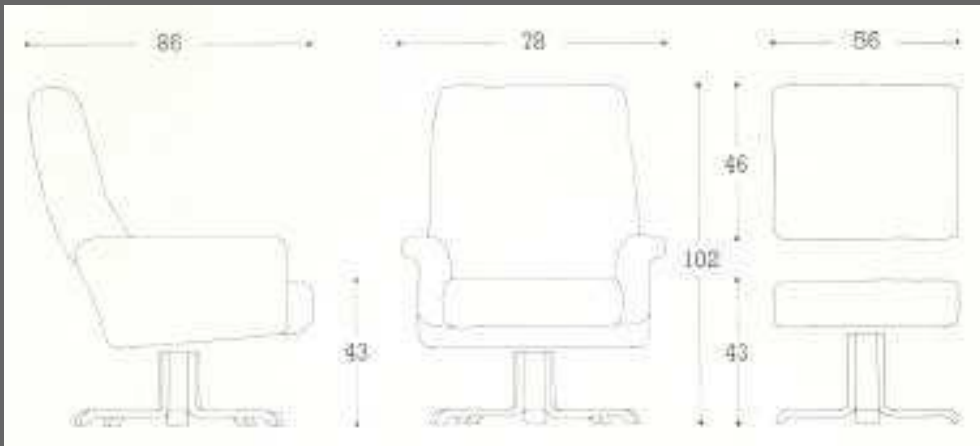


# Zenith



CUSHION: Polyether Foam covered with fibrefill.

WOODENPARTS: Bent laminated Beech

Glide Mechanism



ARTIFEX



commercialimages  
evolve your working environment

387 montague road t. (07) 3844 9100  
west end qld 4101 f. (07) 3846 4747  
po box 731 e. sales@commercialimages.com.au  
south brisbane qld 4101 w. commercialimages.com.au