

domino

designed by Giancarlo Bisaglia | OMP



burgtec.

 commercialimages
evolve your working environment

domino

designed by Giancarlo Bisaglia | OMP

Specifications

Domino is a one-piece chair produced with attention to ergonomics, design and research into materials.

Made of polypropylene and fibreglass using bi-injection technology, it has two colours, white inner and red or black outer.

The chromium-plated frame is made of $\varnothing 18 \times 2$ tube with jointed feet.

Options

Black Back with white inner

Red back with white inner

Dimensions

Overall Height 840mm

Seat Height 460mm

Seat Width 510mm

Seat Depth 500mm

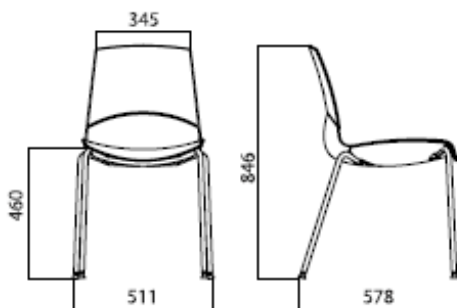
Weight 5kg

Fabric n/a

Leather n/a

Lead time 5-6 weeks

Warranty 5 years



Revised 0511



red outer / white inner



black outer / white inner



red outer / white inner

product details