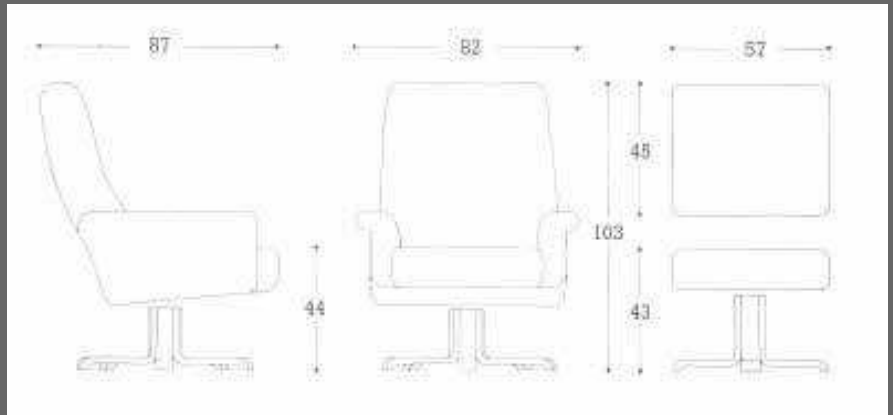


# Boheme

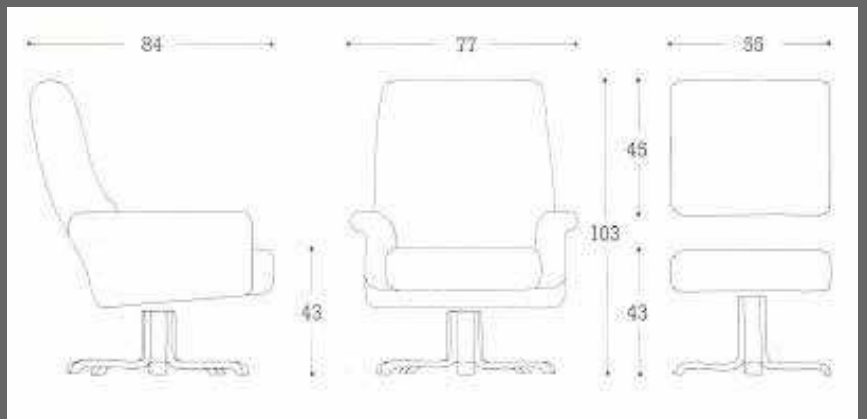


CUSHION: Polyether Foam covered with fibrefill.

WOODEN PARTS: Bent laminated Beech

Glide Mechanism

# Bolero



CUSHION: Polyether Foam covered with Fibrefill

WOODENPARTS: Bent Laminated Beech

Glide Mechanism