

# Miami II Mesh Black



Meets ANSI X 5.1 - 2011 / BIFMA safety standards



# Key Features

## Back Height Adjustment

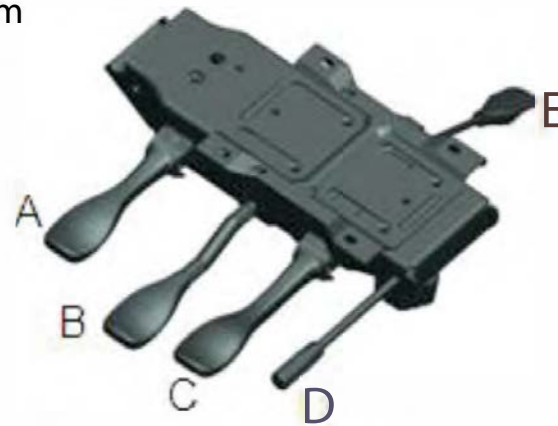
- Chair back can be adjusted up and down by ratchet for various back height



## Height and width adjustable armrest

Soft PU pad

## Mechanism



Paddle A:  
Back leaning angle 30°



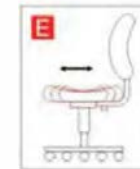
Paddle B:  
Height adjustable seat 90 mm



Paddle C:  
Synchro - tilt angle 49°



Paddle D:  
Seat forward 1.5°  
Seat backward 2.5°



Paddle E:  
Seat slide back and forth 55 mm

Miami II Mesh Black

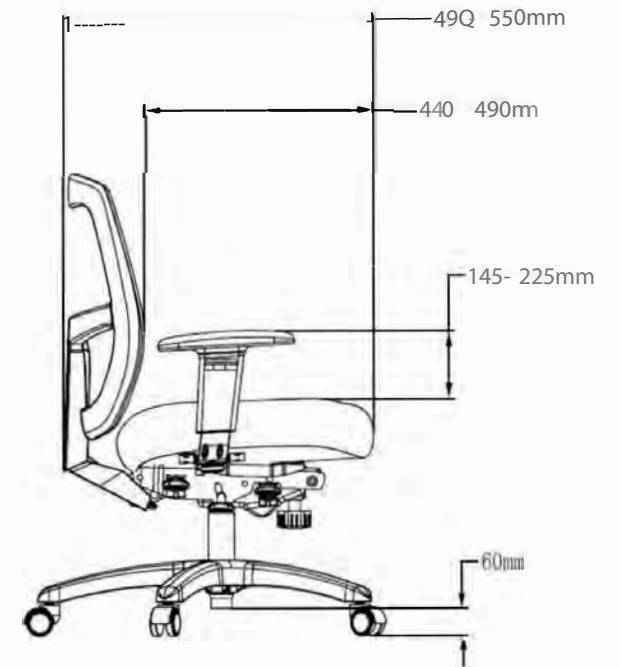
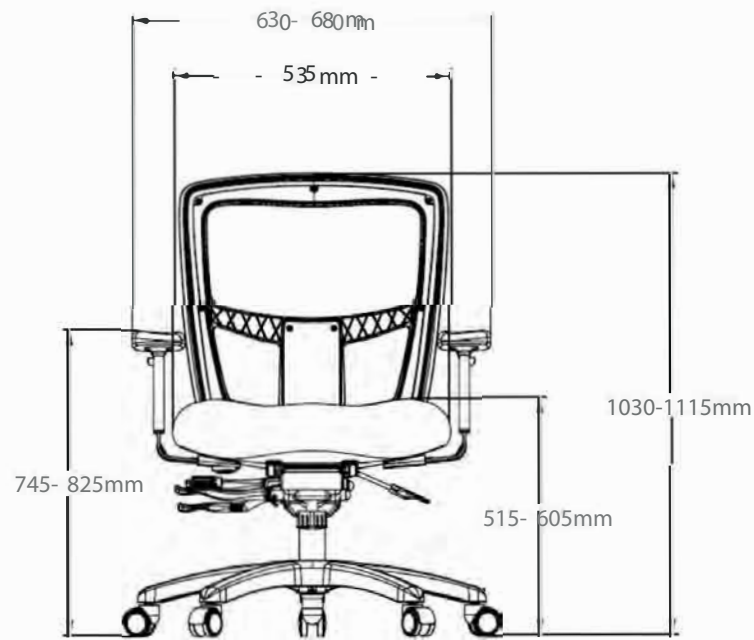


# Miami II Mesh Black



Weight: N.W.: 22.3 KGS G.W.: 25.SKGS

490- 550 mm L \* 630- 680 mm W \* 1030- 1115 mm H



Miami II is GREENGUARD® certified as a low-emitting product that meets current indoor air quality standard and Children and Schools standard.

Miami II may contribute to LEED credits due to its returnable/reusable packaging, durability, pre-consumer recycled content, and post-consumer content.



GREENGUARD ENVIRONMENTAL INSTITUTE



90442

GREENGUARD ENVIRONMENTAL INSTITUTE

GREENGUARD ENVIRONMENTAL INSTITUTE